

**IT I LIMITED**  
MIRZAPUR ROAD, NAINI, ALLAHABAD- 211010 ( U.P. ),INDIA

E -MAIL: [engcellx\\_nni@itilttd.co.in](mailto:engcellx_nni@itilttd.co.in)  
ENQUIRY NO. NPD2E0008

WEB-SITE: <http://www.itilttd.in>  
DATE: 27.04.2022

DUE DATE : 17.05.2022 up to 05:00 PM  
OPENING DATE : 18.05.2022 at 11:00 AM

DEAR SIR,

PLEASE QUOTE YOUR LOWEST RATES AND BEST DELIVERY TERMS IN THE PRESCRIBED EXEL FORMAT AVAILABLE ON <https://itilimited.euniwizarde.com> FOR THE FOLLOWING ITEMS ON THE TERMS AND CONDITIONS (ANNEXURE I) ENCLOSED HERE WITH. No hard copies will be entertained in any manner.

ITEM NO.	DESCRIPTION OF MATERIAL AND ITI CODE	QUANTITY REQUIRED	DRAWING OR TECHNICAL SPECIFICATION	DELIVERY REQUIRED
1.	ANODIZED ALUMINIUM FRAME One Frame consist of: 2 Nos. Side Frame , NTC30241/1 2 Nos. End Frame , NTC30241/2 4 Nos. Corner block , NTC30241/3 <b>Code:NTC030116</b>	32320 Set	Attached	In 3 lots, first within 30 days from date of PO.

OFFER MUST BE SUBMITTED ONLINE ONLY.

1. **NOTE:** Bidder must ensure that offered item is as per Technical specification.
2. Bid must be submitted in two Covers (Two Bid System) with Our Enquiry No. and due date.
  - Technical Bid with Compliance sheet of Technical specification, acceptance of Tender General term and condition & consent for Pre –contract Integrity pact.
  - Commercial bid to be submitted along with HSN code (in 8 digits) of offered part No, GST rate, Basic price etc.
  - Bid should be submitted ONLINE on the above mentioned portal.
3. Vendor's compliance must be provided for offered product against parameters of Technical Specification & same to be submitted along with the technical bid.
4. The detailed General Terms and conditions for submission of Tender –Inland (Annexure I) (which is an integral part of this tender enquiry) are attached. Compliance of this must be submitted with tender technical bid otherwise it will be presumed that the same are acceptable to the bidder.
5. **TERMS OF PRICE: FOR, ITI LTD WORKS, NAINI, should be quoted in INR.**
6. **TERMS OF PAYMENT:** Rates should be as per Normal Terms of Payment (NTP) of ITI Ltd i.e. 60 days credit from the date of receipt of material. However, ITI prefers long credit period. For any variation in payment terms quoted by different Vendors, loading in the comparative statement will be made suitably. No advance payment terms are acceptable.
  - Payment will be made for the accepted quantity only. NO PAYMENT WILL BE MADE FOR THE REJECTED QUANTITY.
  - Applicable GST Tariff & compliances will over rule Sl. 5,6 & 17 in Annexure I
7. Supplier must mention MOQ (Minimum ordering quantity)
8. Supplies should be made from the latest batch of production.
9. Batch no. should be indicated on component, packet & delivery challan.
10. Test Certificate / Checklist should accompany each supply.
11. Goods will not be accepted if above instructions are not followed.
12. Tech. leaflet/ordering information should be enclosed with quotations.
13. No conditional offer is acceptable.
14. Vendors should give consent to sign the enclosed pre- contract Integrity pact. Integrity pact has to be signed with the qualified bidder immediately after placement of PO. Those bidders who are not willing to

- sign Integrity pact will not be considered for bid processing.
15. **Vendors/Bidders must submit EMD @ 2% of tender value or maximum Rs. 5 Lakh before due date of the tender. Also scan copy of EMD is to be submitted along with tender document. EMD should be in the form of DD in favor of ITI Ltd. Naini, Prayagraj. EMD will be converted into security deposit for successful bidder. Successful bidder must submit balance amount of Security Deposit @ 5% of order value or maximum Rs. 10 Lakh before placement of PO.**
  16. **EMD will be returned within 15 days for unsuccessful bidders.**
  17. **Those who are exempted from EMD must submit supporting document along with tender documents. However, they are required to deposit security amount @ 5% of order value or maximum Rs. 10 Lakh before placement of PO. SD shall be returned to the Vendor within 30 days after successful execution of PO.**
  18. **SD shall be liable to be forfeited, if Vendor fails to execute the PO.**
  19. **Vendor/Bidder must quote the rate of additional technical specs of AI Frame with qty—to code, qty—to code**
  
  20. **As GST is implemented, Following information are mandatory to mention along with quotation**
    - Vender Name
    - Address
    - PAN No. along with Photocopy of PAN
    - Copy of GSTIN Registration
  21. **For any clarification, e-mail to [engcellx\\_nni@itilttd.co.in](mailto:engcellx_nni@itilttd.co.in), Phone No: 0532 -2687379/ Mob.6392704089/7007462166.**
  22. **You may be present at the time of tender opening.**

**SPECIAL NOTE:-**

- A. **PLEASE SUBMIT YOUR OFFER ONLINE WITHIN DUE DATE.**
- B. **The party may indicate whether they fall under purview of MSME Act 2006 and if so the certified copy of relevant valid registration certificate as a proof may be submitted along with the tender bid. In case such certificate is not produced at the time of bid party will not be considered to be falling under this category.**
- C. **Our Organization is ISO 14001 Certified Company .Offers should be in compliance with ISO 14001 requirement.**  
**Please visit our web-site: <http://www.itilttd.in>, <https://itilimited.euniwizarde.com> for detail. For any clarification please feel free to contact us.**

**Yours faithfully,  
For ITI LIMITED**

**Purchase Officer**



ITI Limited

TECHNICAL SPECIFICATION

Code

NTC030116

Aluminium Frame

Used in

Solar Module

Disclaimer  
(COPY RIGHT AND CONFIDENTIAL) The information in this document is the property of ITI Limited it must not be used directly or indirectly in any way detrimental to the interest of the company

Parameter	Specification
Material	Aluminium alloy (63400/6063) as per IS 733 / ASTM B221 or equivalent.
Coating	Electrolytically formed anodic coatings on Aluminium & Aluminium alloy parts. The anodic coating shall be continuous, smooth, adherent, and uniform in appearance and shall be free from powdery areas, loose films and discontinuities such as breaks, scratches or other damages. After anodic coating, the parts shall comply with dimensional requirements of the applicable drawings.
Anodizing process & of Sealing	As per Type-I: IS-7088 / IS 1868:1996 (Anodizing with minimum thickness of 10 µm)
Frame dimension (including corner block)	As per dimensional and other requirements given in the attached drawing: NTC30241 (Detail 1, 2 & 3), NTC35280 & NTC35281.
Packing	Frame members are to be wrapped with polythene cover or craft paper to avoid scratches. Frame members to be supplied shall be neatly stacked and packed in carton boxes. Number of frames per carton box is to be decided so as the weight of the each carton box shall not be more than 30 kg. The carton boxes as above shall be further neatly palletized for mechanized handling. The total weight of each pallet shall not exceed 1000 kg. Packing slip to be pasted on the carton boxes.
Surface Texture	Natural matte finish
Continuity & Insulation	As per IS 8375: 1977 & 8554:1997 or equivalent
Corrosion Resistance	As per IS-9000 / ASTM B117 or equivalent

General Terms and Conditions

1. Point wise Compliance statement of the Technical Specification including general terms and condition along with complete catalogue must be attached with the technical bid.
2. Specify OEM details and Part no. of the offered product (not other product).
3. Supplier shall produce test certificate from Test Labs of the Al frame.
4. Vendor shall furnish customer references.

Prepared By	<i>[Signature]</i>	DM(LTS)	Rev	0
Checked By	<i>J.S. Higgins</i>	M(Optasolen)	Issue	1
Approved By	<i>[Signature]</i>	DGM(CWRG)	Date	07.06.2019
			Page	1/1

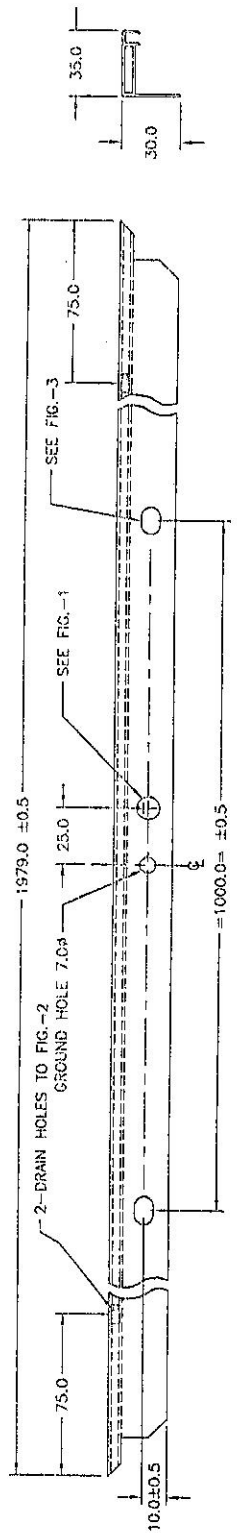
DISTRIBUTED BY DEI  
UNCONTROLLED ENHANCED LLED  
COPY NO. 4 155.6.19  
DATE 28/6/19 SIG *[Signature]*

J.S. Satyarth  
 M. (enr) 4864  
 DGM (N/10)

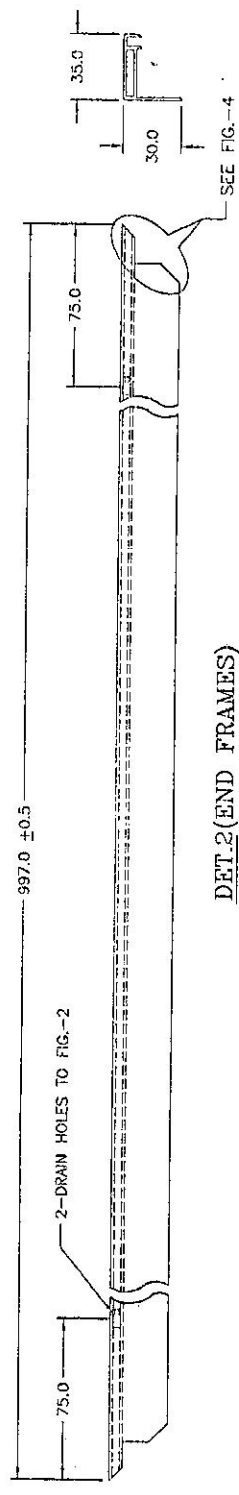
18/05/19  
 11:18 AM  
 18/05/2019

SHEET	1/1
ISSUE	APP
DATE	11.05.2019

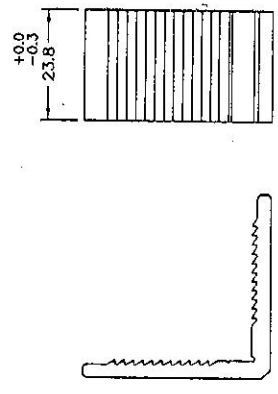
CODE	MATL	SPEC.	FIN.	SPEC.
NTC30241/DET.-1	NTC35280/1	-	-	-
NTC30241/DET.-2	NTC35280/1	-	-	-
NTC30241/DET.-3	NTC35281/1	-	-	-



DET.1 (SIDE FRAMES)



DET.2 (END FRAMES)



DET.3  
(FIXED TYPE CORNER BLOCK)  
SCALE-1:1

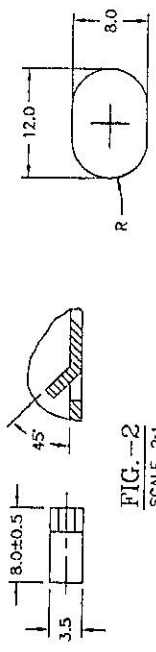


FIG.-2  
SCALE-2:1

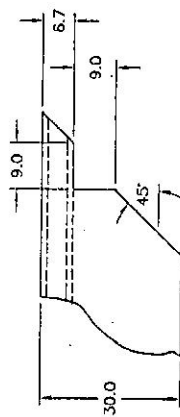


FIG.-3  
SCALE-2:1

FIG.-4  
SCALE-1:1

TOLERANCES TO  
 RULING No. 16  
 REF:- SOLAR(305W)  
 W.O:-  
 U.O:-

DRN.	Approved	DATE	18/05/19
TRD.		APP.	
CHD.			
<b>SOLAR FRAME (SIDE &amp; END)</b>			
NTC30241			IT LTD. NAINI ALLAHABAD-10   A3

NOT TO SCALE  
 ALL DIMNS. ARE IN mm.

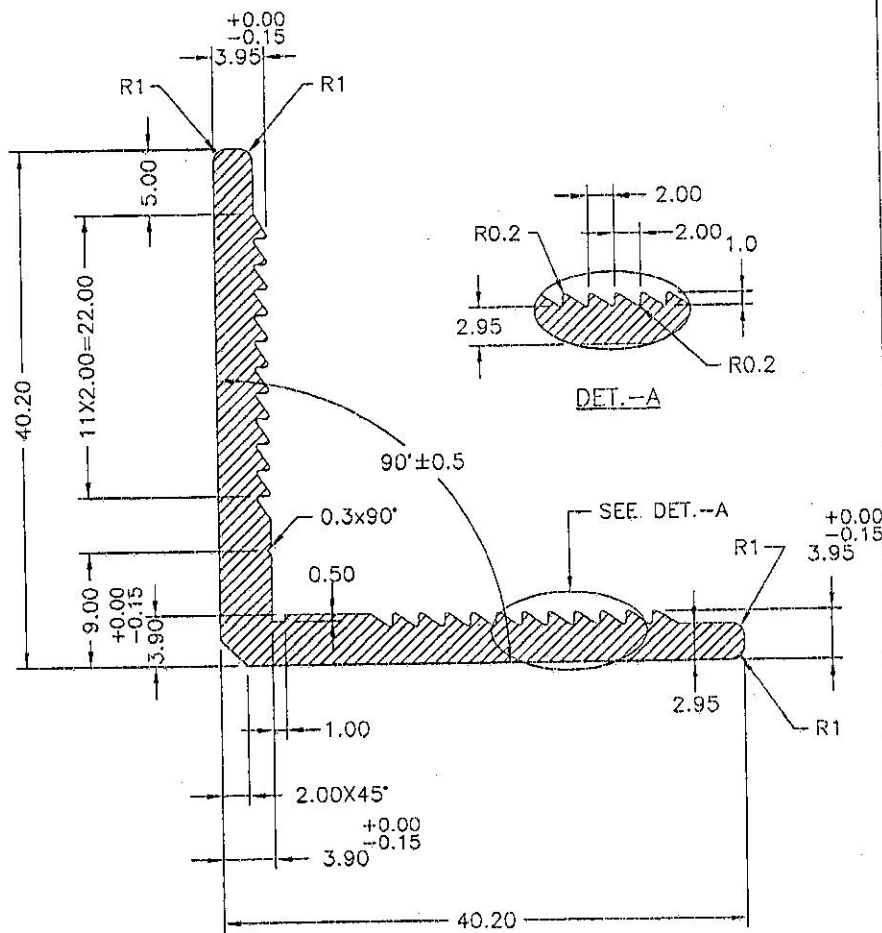
LINE WIDTH-0.5mm.  
 LINE DEPTH-0.1mm.  
 GROUND MARK TO BE ENGRAVED AS SHOWN.

FIG.1 (GROUND MARK DETAIL)  
SCALE-2:1



THIS DOCUMENT IS THE PROPERTY OF ITI LIMITED NAINI ALLAHABAD-10 INDIA AND MAY NOT BE COPIED, REPRINTED OR DISCLOSED TO A THIRD PARTY WITHOUT THE WRITTEN CONSENT OF THE PROPRIETOR

CODE	MATL.	SPEC.	FIN.	SPEC.	SHEET	1/1
NTC35281/1	ALUMINIUM ALLOY	6063-T6	SEE NOTE	--	ISSUE	APP.
					1	17.05.2019



*Handwritten signatures and initials:*  
 D.M.C.S.  
 J. Singh  
 M. Singh  
 D.G. Singh

TOLERANCES TO RULING NO 16  
 REF:-SOLAR(250W)  
 W.O:- -  
 U.O:- -

SCALE=2:1  
 ALL DIMNS. ARE IN mm.

AL. SECTION  
 (FOR CORNER BLOCK)

DRN. <i>Arvind</i>	ENG	
TRD. ---	APP.	
CHD.		
NTC35281		ITI LTD. NAINI ALLAHABAD
		A4

(MD) COMP.REF- NTC35281 17.05.2019

*Handwritten stamp:*  
 DATE: 22/5/19  
 (with initials)

## PRE-CONTRACT INTEGRITY PACT

### GENERAL

This pre-bid pre-contract agreement (hereinafter called the Integrity Pact) is made on ..... day of ..... the month of ..... , between, ITI Limited, Naini Plant, Mirzapur Road Naini, Allahabad-211010, Uttar Pradesh, India, (hereinafter called the "BUYER", which expression shall mean and include, unless the context otherwise requires, his successors in office and assigns) of the First Part and

..... (*address of the Bidder*)  
(hereinafter called the "BIDDER " which expression shall mean and include, unless the context otherwise requires, his successors and permitted assigns) of the Second Part.

WHEREAS the BUYER proposes to float a tender Ref..... for supply, installation, integration and commissioning ( ~~strik off whichever is not applicable~~ ) at its premises as per the specification in the attachments (*name of the product*) and the BIDDER is willing to participate in Bid as per the terms and conditions mentioned thereon;

WHEREAS the BIDDER is a private company/public company/Government undertaking/partnership company (~~strike off whichever is not applicable~~), constituted in accordance with the relevant law in the matter and the BUYER is a PSU under the Department of Telecommunications, Ministry of Communications & IT, Government of India.

NOW, THEREFORE,

To avoid all forms of corruption by following a system that is fair, transparent and free from any influence/prejudiced dealings prior to, during and subsequent to the currency of the contract to be entered into with a view to :-

Enable the BUYER to select a firm for supply, installation, integration and commissioning ( ~~strik off whichever is not applicable~~ ) at its premises as per the specification in the attachments (name of the product) through the tender in a transparent and corruption free manner, and

Enable the BIDDERS to abstain from bribing or indulging in any corrupt practice in order to secure the contract by providing assurance to them that their competitors will also abstain from bribing and other corrupt practices and the BUYER will commit to prevent corruption, in any form, by its officials by following transparent procedures.

The parties hereto hereby agree to enter into this Integrity Pact and agree as follows:

1. Commitments of the BUYER

1.1 The BUYER undertakes that no official of the BUYER, connected directly or indirectly with the contract, will demand, take a promise for or accept, directly or through intermediaries, any bribe, consideration, gift, reward, favour or any material or immaterial benefit or any other advantage from the BIDDER, either for themselves or for any person, 'organisation or third party related to the contract in exchange for an advantage in the bidding process, bid evaluation, contracting or implementation process related to the contract.

1.2 The BUYER will during the pre-contract stage, treat all BIDDERS alike, and will provide to all BIDDERS the same information and will not provide any such information to any particular BIDDER which could afford an advantage to that particular BIDDER in comparison to other BIDDERS.

1.3 All the officials of the BUYER will report to the appropriate Government office any attempted or completed breaches of the above commitments as well as any substantial suspicion of such a breach.

2 In case any such preceding misconduct on the part of such official(s) is reported by the BIDDER to the BUYER with full and verifiable facts and the same is prima facie found to be correct by the BUYER, necessary disciplinary proceedings, or any other action as deemed fit, including criminal proceedings may be initiated by the BUYER and such a person shall be debarred from further dealings related to the contract process. In such a case while an enquiry is being conducted by the BUYER the proceedings under the contract would not be stalled.

3 Commitments of BIDDER

3.1 The BIDDER commits itself to take all measures necessary to prevent corrupt practices, unfair means and illegal activities during any stage of its bid or during any pre-contract or post-contract stage in order to secure the contract or in furtherance to secure it and in particular commit itself to the following:-



- a) The BIDDER will not offer, directly or through intermediaries, any bribe, gift, consideration, reward, favour, any material or immaterial benefit or other advantage, commission, fees, brokerage or inducement to any official of the BUYER, connected directly or indirectly with the bidding process, or to any person, organisation or third party related to the contract in exchange for any advantage in the bidding, evaluation, contracting and implementation of the contract.
- b) The BIDDER further undertakes that it has not given, offered or promised to give, directly or indirectly any bribe, gift, consideration, reward, favour, any material or immaterial benefit or other advantage, commission, fees, brokerage or inducement to any official of the BUYER or otherwise in procuring the Contract or forbearing to do or having done any act in relation to the obtaining or, execution of the contract or any other contract with the Government for showing or forbearing to show favour or disfavour to any person in relation to the contract or any other contract with the Government.
- c) BIDDERS shall disclose the name and address of agents and representatives and Indian BIDDERS shall disclose their foreign principals or associates.
- d) BIDDERS shall disclose the payments to be made by them to agents/ brokers or any other intermediary, in connection with this bid/contract.
- e) The BIDDER further confirms and declares to the BUYER that the BIDDER is the original manufacturer/ integrator and has not engaged any individual or firm or company whether Indian or foreign to intercede, facilitate or in any way to recommend to the BUYER or any of its functionaries, whether officially or unofficially to the award of the contract to the BIDDER, nor has any amount been paid, promised or intended to be paid to any such individual, firm or company in respect of any such, intercession, facilitation or recommendation.
- f) The BIDDER either while presenting the bid or during pre-contract negotiations or before signing the contract, shall disclose any payments he has made, is committed to or intends to make to officials of the BUYER or their family members, agents, brokers or any other intermediaries in connection with the contract and the details of services agreed upon for such payments.

- g) The BIDDER will not collude with other parties interested in the contract to impair the transparency, fairness and progress of the bidding process, bid evaluation, contracting and implementation of the contract.
- h) The BIDDER will not accept any advantage in exchange for any corrupt practice, unfair means and illegal activities.
- i) The BIDDER shall not use improperly, for purposes of competition or personal gain, or pass on to others, any information provided by the BUYER as part of the business relationship, regarding plans, technical proposals and business details, including information contained in any electronic data carrier. The BIDDER also undertakes to exercise due and adequate care lest any such information is divulged.
- j) The BIDDER commits to refrain from giving any complaint directly or through any other manner without supporting it with full and verifiable facts.
- k) The BIDDER shall not instigate or cause to instigate any third person to commit any of the actions mentioned above.
- l) If the BIDDER or any employee of the BIDDER or any person acting on behalf of the BIDDER, either directly or indirectly, is a relative of any of the officers of the BUYER, or alternatively, if any relative of an officer of the BUYER has financial interest/stake in the BIDDER's firm, the same shall be disclosed by the BIDDER at the time of filing of tender. The term 'relative' for this purpose would be as defined in Section 6 of the Companies Act 1956.
- m) The BIDDER shall not lend to or borrow any money from or enter into any monetary dealings or transactions, directly or indirectly, with any employee of the BUYER.

#### 4 Previous Transgression

- 4.1 The BIDDER declares that no previous transgression occurred in the last three years immediately before signing of this Integrity Pact, with any other company in any country in respect of any 'corrupt practices envisaged hereunder or with any Public Sector Enterprise in India or any Government Department in India that could justify BIDDER's exclusion from the tender process.

4.2 The BIDDER agrees that if it makes incorrect statement on this subject, BIDDER can be disqualified from the tender process or the contract, if already awarded, can be terminated for such reason.

## 5 Sanctions for Violations

5.1 Any breach of the aforesaid provisions by the BIDDER or anyone employed by it or acting on its behalf (whether with or without the knowledge of the BIDDER) shall entitle the BUYER to take all or any one of the following actions, wherever required:-

- a) To immediately call off the pre contract negotiations without assigning any reason or giving any compensation to the BIDDER. However, the proceedings with the other BIDDER(s) would continue.
- b) To immediately cancel the contract, if already signed, without giving any compensation to the BIDDER.
- c) To cancel all or any other Contracts with the BIDDER. The BIDDER shall be liable to pay compensation for any loss or damage to the BUYER resulting from such cancellation/rescission.
- d) To recover all sums paid in violation of this Pact by the BIDDER(s) to any middleman or agent or broker with a view to securing the contract.

5.2 The BUYER will be entitled to take all or any of the actions mentioned above, also on the Commission by the BIDDER or anyone employed by it or acting on its behalf (whether with or without the knowledge of the BIDDER), of an offence as defined in Chapter IX of the Indian Penal code, 1860 or Prevention of Corruption Act, 1988 or any other statute enacted for prevention of corruption.

5.3 The decision of the BUYER to the effect that a breach of the provisions of this Pact has been committed by the BIDDER shall be final and conclusive on the BIDDER. However, the BIDDER can approach the Independent Monitor(s) appointed for the purposes of this Pact.

## 6 Independent Monitors

6.1 The BUYER appoints Independent Monitor (hereinafter referred to as Monitor) for this Pact in consultation with the Central Vigilance Commission.

- 6.2 The task of the Monitor shall be to review independently and objectively, whether and to what extent the parties comply with the obligations under this Pact.
- 6.3 The Monitor shall not be subject to instructions by the representatives of the parties and perform their functions neutrally and independently.
- 6.4 Both the parties accept that the Monitor have the right to access all the documents relating to the project/procurement, including minutes of meetings.
- 6.5 As soon as the Monitor notices, or has reason to believe, a violation of this Pact, he will so inform the Authority designated by the BUYER.
- 6.6 The BIDDER(s) accept(s) that the Monitor has the right to access without restriction to all Project documentation of the BUYER including that provided by the BIDDER. The BIDDER will also grant the Monitor, upon his request and demonstration of a valid interest, unrestricted and unconditional access to his project documentation. The Monitor shall be under contractual obligation to treat the information and documents of the BIDDER with confidentiality.
- 6.7 The BUYER will provide to the Monitor sufficient information about all meetings among the parties related to the Project provided such meetings could have an impact on the contractual relations between the parties. The parties will offer to the Monitor the option to participate in such meetings.
- 6.8 The Monitor will submit a written report to the designated Authority of BUYER within 8 to 10 weeks from the date of reference or intimation to him by the BUYER / BIDDER and, should the occasion arise, submit proposals for correcting problematic situations.

## 7 Facilitation of Investigation

- 7.1 In case of any allegation of violation of any provisions of this Pact or payment of commission, the BUYER or its agencies shall be entitled to examine all the documents including the Books of Accounts of the BIDDER and the BIDDER shall provide necessary information and documents in English and shall extend all possible help for the purpose of such examination.

## 8 Law and Place of Jurisdiction

- 8.1 This Pact is subject to Indian Law. The place of performance and jurisdiction is the seat of the BUYER.

9 Other Legal Actions

9.1 The actions stipulated in this Integrity Pact are without prejudice to any other legal action that may follow in accordance with the provisions of the extant law in force relating to any civil or criminal proceedings.

10 Validity

10.1 The validity of this Integrity Pact shall be from date of its signing and extend up to the contract period with the BUYER in case a contract is signed. In case BIDDER is unsuccessful, this Integrity Pact shall expire after six months from the date of the signing of the contract.

10.2 Should one or several provisions of this Pact turn out to be invalid, the remainder of this Pact shall remain valid. In this case, the parties will strive to come to an agreement to their original intentions.

11 The parties hereby sign this Integrity Pact.

BUYER

BIDDER

Name of the Officer.:

Designation :

ITI Limited

Nain Plant

Mirzapure Road

Naini,

Allahabad -211010

Uttar Pradesh

Place:

Allahabad

Place:

Date:

Witness:

1. ....

2. ....

1. ....

2. ....

## **STANDARD INFORMATION**

- 1.Tender Title : Anodized Aluminium Frame**
- 2.Tender Ref. No.:- NPD2E0008**
- 3.Product category :- GOODS**
- 4.Product subcategory :- Solar Module**
- 5.Tender Value :- Rs. 2.26 Cr. (Approx)**
- 6.Tender EMD :- 2% of tender value or maximum Rs.5 lakh**
- 7.Tender Document cost :- Nil**
- 8.Tender Type :- Buy**
- 9. Location :- ITI LTD. NAINI PRAYAGRAJ (ALLAHABAD)**
- 10.First Announcement date / time :-27.04.2022**
- 11.Last date / time for submission :-17.05.2022/05:00 PM**
- 12.Opening date / time :- 18.05.2022/11:00 AM**
- 13.Work description :- As per tender documents**
- 14.Pre-qualification :- N/A**



**ITI LIMITED**

**CIN NO.L32202KA1950GOI000640**

Annexure - I

Form No.:XPR14/M2/0995/24

**ISO 9001:2008  
ACCREDITED**

**TERMS AND CONDITIONS FOR SUBMISSION OF INDIGENOUS TENDER (Inland)**

ENCLOSURE TO ENQUIRY NO:.....

**1 SUBMISSION OF TENDERS:**

- A. This is only an enquiry to quote and not an order. This enquiry is not transferable.
- B. Tenders must be submitted **online** only ON <https://itilimited.euniwizarde.com>
- C. Bid must be submitted in two parts for Technical & Commercial.
- D. The party may indicate whether they fall under purview of MSME Act 2006 and if so the certified copy of relevant registration certificate as a proof may be submitted along with the tender bid.
- E. In case such certificate is not produced at the time of bid, party will not be considered to be falling under this category.**

**NOTE:**

- a. Tenders should submit on the above portal on or before the due date and due time.
- b. Technical bid & commercial bid both should be uploaded on the portal separately in the prescribed excel format available on portal.
- c. Please submit your offer ONLINE. Offer should have commercial condition and technical details.
- d. The validity of offer should be for a minimum period of 90 days from the opening date of tender.

**2 OPENING OF TENDERS:**

Tenders against enquiries will be opened ONLINE on THE DUE DATE OF THE TENDER itself / the next Working day i.e., on .....At 11.00 Hrs.(INDIAN STANDARD TIME).

**3 LATE OFFERS:**

After due date and time system will not allow to enter quote/offer by itself.

**NOTE:**

- a. Submit your quote ONLINE – in advance to avoid Auto- disqualification by the system.
- b. If you are not in a position to quote, for any reason please communicate the same without fail to enable us to keep you on our vendor list.
- c. Please indicate the Sl. No. and Code/Description exactly as per our enquiry. Any substitute or alternate code quoted should be clearly stated. In case the item quoted is under obsolescence, the same may be indicated with best last date of P.O. and supply feasibility.

**4 PRICES:**

- a. Prices must be per unit as called for in the enquiry and should be on F.O.R. ITI Works basis only and inclusive of insurance & un-loading charges. In such an event while tabulating the offers, insurance is not to be reckoned and should include weather proof packing adequate to withstand transshipment damages. Local supplier's offers should be on F.O.R. delivery at our Stores in our Plant.
- b. ITI, under normal circumstances, may not negotiate for the price. Hence you are requested to quote your best price .
- c. Any counter terms and conditions are not binding on us unless we agree to the same in writing.
- d. In case of an order on you, the ordered rate should be firm till the completion of the order. Please

note that any variation in price due to variation in statutory levies will be absorbed by the supplier.

However, for variation beyond 5% due to variation in statutory levies, the burden of price increase / advantage of price decrease will be shared equally between ITI and the supplier.

- e. Vendors should deliver the material to ITI-Stores in Naini Plant irrespective of whether they are Bangalore based or from outstation. Out station vendors can make use of their local representative/ Courier Service / Surface transport on door delivery basis to deliver the material at ITI-STORES. ITI will not take the responsibility of clearing the goods from the carriers go down / office / railway station / airport etc.
- f. If ITI Ltd, Naini wishes to enter into Large Range Contract (LRC), the bidder shall give his willingness for LRC.

#### **5 STATUTORY LEVIES:**

- a. All applicable statutory levies like Sales Tax, Excise Duty etc., should be separately indicated with the current rate applicable, otherwise rate quoted will be deemed as inclusive of taxes / levies. Vague terms like "As applicable at the time of supply" should be avoided. Apart from Statutory levies other charges like handling, P and F etc., will not be paid by us.
- b. In case of sales tax exempted delivery, authorisation letter from the competent authority should be enclosed along with the quote ON LINE.
- c. In case of your absorbing the sales tax portion, the same be specified clearly in the quotation itself and not after the tender opening, which otherwise will be treated as post-tender correction and would disqualify your quote.
- d. In case of statutory levies like Sales Tax, Excise Duty, Surcharge etc., are modified, the same has to be intimated to ITI immediately.

#### **6 MODVAT RELIEF:**

- a. We are eligible to avail the credit of Excise Duty paid on items procured for manufacturing Tele-communication equipments under MODVAT RELIEF scheme. Hence "Invoice Cum Gate Pass" in original for payment, and transporter copy duly marked and authenticated is to be produced along with the consignment. In case of your failing to adhere to this instruction, no ED will be reimbursed by us.
- b. Invoices should be in the prescribed form and have all particulars as per the Central Excise Rules and notifications as amended from time to time, particularly Assessor code, Range Division, rate and amount of duty debited and debit particulars.
- c. Agents/Distributors, on whom an order is placed should also produce Invoice Cum Gate Pass as per the procedure laid down by Central Excise Rules and notifications issued from time to time. They should get registered with Central Excise authorities where ED is being passed on.

#### **7. TERMS OF PAYMENTS:**

- a) ITI Preferred Payment Terms: Normal Terms of Payment (NTP) i.e. 60 days credit from the date of receipt of the material at our stores. All the bank charges of payment will be borne by vendor
- b) For any variation in payment terms quoted by different vendors, loading in the comparative statement will be made suitably.
- c) **In the event of short supply and/or wrong supply, the supplier has to bear all expenses to complete the supply as per PO terms. Till supply completion as per PO terms, payment will be kept in abeyance.**
- d) **NO PAYMENT WILL BE MADE FOR THE REJECTED QUANTITY.**
- e) In case you fall under MSME category, please mention the same in all your quotations/invoices indicating also certificate number.

#### **8. INSPECTION:**

- a. ITI reserves the right to restrict the ordering to 2 or 3 vendors who are capable of meeting the Quality, Delivery and Cost requirements. Preference will be given to the vendors with maintained and proven Quality Assurance Systems.
- b. We are planning to reduce inspection time with self certification scheme for the vendors who keep up good quality leading to "ship to stack system".
- c. Inspection of the material at our works will be final. ITI reserves the right to inspect the material at any other standard testing centre authorised by us.
- d. We or our representative including our customer may if required preliminarily inspect the product at vendor's



premises. Such verification shall not absolve the vendor of the responsibility to provide the acceptable product nor shall preclude subsequent rejection during the final inspection at our works. It is the responsibility of every vendor to ensure that only the inspected materials confirming to our specifications/drawings/requirements are supplied.

- e. The supplies shall be from the latest batch of production. Batch Number should be indicated on the components / packet / test certificate and accompanying delivery challan / test certificate.
- f. Test Certificate / check list should accompany each supply consignments without test certificate are liable for Rejection. Rejected material should be collected immediately (within 30 days) after our intimation by giving two days prior notice for completing the necessary under GST Act. You should make arrangements to collect the material either personally, or through your authorised representatives. ITI does not take any responsibility to send the material back to you. After 90 days from the date of rejection intimation to you the material will be scrapped at your risk if not collected.

9. **SAMPLES:**

Those tenderers who have not supplied the materials against any of our earlier orders, should submit FREE SAMPLES clearly indicating enquiry reference. Free samples along with your offer is preferable. In case of a Purchase Order on you, bulk supply should commence only after approval of samples.

10. **WARRANTY/ consistent performance:**

Please note that we are an ISO 9001:2008 accredited company. All our Equipment warranty should be as called in the Tender specifications. Within this warranty period, if any of your component / subsystem is found defective during trial run or otherwise, the same is to be replaced free of cost immediately by you.

11. **GENERAL:**

- a. We reserve the right to accept or reject any or all offers and order full or part quantities or cancellation thereof without assigning any reason whatsoever. Successful tenderer only will be intimated by post through email/letter of intent/firm orders. Canvassing by tenderers in any form including un-solicited letters against tenders submitted or post-tender Correction shall render their tenders liable for summary rejection.
- b. ITI Naini reserves the right to split Quantity/Services at ordered rates accepted by L1 bidder to meet the supply schedule / maintain uninterrupted services in view of the capacity of L1 bidder. Distribution of quantities for ordering to the selected bidders against tender - The quantity shall be distributed in the ratio between 60:40 to 70:30 between L1 and L2 in case order is to be given to two bidders. In case if the order is to be placed on three selected bidders, the guiding ratio would be 50:30:20 for L1, L2 & L3 bidders. More than three bidders may be considered in case of larger volume or in case of capacity restriction. However ITI, reserves the right to depart from the above guidelines for distribution of quantity amongst successful bidders depending upon the urgency and other factors prevailing at the time of deciding the bid.

12. **DELIVERY SCHEDULE:**

- a. Please indicate minimum LEAD TIME REQUIRED, manufacturing capacity and the quantity that can be reserved for us.
- b. **Liquidated Damages Clause**  
Time is the essence of contract and the materials, against an order arising out of this enquiry must be delivered by the supplier according to the delivery schedule indicated in the P.O. In case of any change, the supplier should inform us in advance and obtain our approval to the revised delivery schedule. Should the supplier fail to deliver the material or part thereof as per the delivery schedule, or any extension thereof, we shall be entitled at our option either to recover from the supplier, as penalty, a sum equivalent to ½% (half percent) per week for first four weeks and 0.7% per week thereafter for such delay or part thereof or terminate the contract in respect of the balance supply so delayed and purchase materials elsewhere at the risk and cost of the defaulting supplier.

13. **EMD/Security deposit: Vendors/Bidders must submit EMD @ 2% of tender value or maximum Rs. 5 Lakh before due date of the tender. Also scan copy of EMD is to be submitted along with tender document. EMD should be in the form of DD in favor of ITI Ltd. Naini, Prayagraj. EMD will be converted into security deposit for successful bidder.**

**Successful bidder must submit balance amount of Security Deposit @ 5% of order value or maximum Rs. 10 Lakh before placement of PO. EMD will be returned within 15 days for unsuccessful bidders.**

**Those who are exempted from EMD must submit supporting document along with tender documents. However, they are required to deposit security amount @ 5% of order value or maximum Rs. 10 Lakh before placement of PO. SD shall be returned to the Vendor within 30 days after successful execution of PO. SD shall be liable to be forfeited, if Vendor fails to execute the PO.**

14. **PBG:** N/A

15. **LOCAL REPRESENTATION:**

Please indicate your local representative's/ Authorised person address, telephone, Telex No. Fax No., Pager No. /E-mail address the person to be contacted, in the offer on your letterhead.

16 **TECHNICAL CATALOGUES:**

In the event of any change in the technical catalogue, **formatted updated version may be sent to us immediately**. It is essential that you simultaneously take up the same with approving authority and their approval copy sent to us.\

17. **APPLICABLE LAW AND DISPUTE RESOLUTION:**

*All disputes arising in connection with Purchase Order shall be settled between the Parties, the Parties shall try to resolve it through mutual discussions. In case the dispute could not be resolved through mutual discussions, the dispute shall be referred as per ICADR rules.*

**Since, ITI is the ISO 14001: 2015 certified company hence, you may introduce eco friendly material in your process and packing as much as possible & adopt standard symbol as per norms to satisfy ISO 14001: 2015 during handling, storage and transportation of material"**

Purchase Officer

ENQUIRY CELL

**Government e-Procurement System**  
**Tender Input Form-CPPP**  
**(For ePublishing)**

**TENDER INPUT FORM**

Please **do not use special characters in any field** as these characters are not allowed to enter in the actual ON Line Form e.g. **& and Colon (:)** but Comma (,), slash (/), bracket ( ), dot (.) and dash (-) can be used.

**(A) Basic details:**

1	<b>Tender Reference No. / Tender ID *</b>	NPD2E0008
2	<b>Tender Type</b> *(Open / Limited / EOI / Auction/ Single)	Open
3	<b>Form of Contract *</b> (Buy / Supply / Piece Work / Lump-sum / Multi Stage / Fixed Rate / Turn-key / Works / Sale / Item Rate / Rate Contract)	Buy
4	<b>No. of Covers *</b> (1 / 2 / 3 / 4)	2
5	<b>Tender Category *</b> (Goods / Services / Works)	Goods
6	<b>Account Type Head *</b> (State Government Funded / Central Government Funded / Others)	Central Government
7	<b>No of Bid Openers</b> (2 of 2)	(2 of 2)
8	<b>Payment Mode *</b> (Offline / Online)	On Line
8a	<b>If Offline :</b> <b>As Per Tender Document,</b> Not Applicable <b>DD</b> -Demand Draft, <b>BG</b> -Bank Guarantee <b>BC</b> -Bankers Cheque, <b>SS</b> -Small Savings Instrument ACG-67 Receipts,                Personal Cheque , <b>FDR,</b> RTGS / ECS / NEFT/	As Per Tender Document

**(B) Cover details:**

	<b>No. of Covers</b>	<b>Cover Type</b>	<b>Contents</b>
1	<b>Single Cover</b> (Fee/Prequal/Technical/Financial)	N/A	N/A
2	<b>Two Covers</b> (a) Fee/Prequal/Technical (b) Financial	Two Covers	a) Technical b) Financial
3	<b>Three Covers</b> (a) Fee (b) Prequal/Technical (c) Financial	N/A	N/A
4	<b>Four Covers</b> (a) Fee (b) Prequal (c) Technical (d) Financial	N/A	N/A

**(C) NIT Document (Attached files should be in Word and Excel only)**

S No.	File Name	Document Description	Type	Size
1	NPD2E0008	<b>NIT</b>	Word/excel	

**(D) Work / Item Details:**

1	<b>Work / Item Title *</b>	Anodized Aluminium Frame
2	<b>Work / Item Description *</b>	As per Tender
3	<b>Pre-qualification Details</b>	As per Tender
4	<b>Product Category *</b> (select from the provided list only)	Miscellaneous Goods
4a	<b>Product Sub Category *</b>	
5	<b>Contract Type *</b> (Tender / Empanelment / Rate Contract)	Tender
6	<b>Tender Value *</b> (INR)	2.26 Cr. (Approx)
7	<b>Bid Validity days *</b> (120 / 90 / 60 / 30) If other, specify	90 days
8	<b>Calendar Completion / Delivery Period in Days</b>	30 days
9	<b>Location Detail of Work / services / items *</b>	ITI Ltd, Naini Unit, Mirzapur Road, Naini, Allahabad
10	<b>Pin code</b>	211010
11	<b>Pre Bid Meeting *</b> (Yes / No), If Pre Bid Meeting is Yes	No.
11a	<b>Pre Bid Meeting Place *</b>	
11b	<b>Pre Bid Meeting Address *</b>	

12	<b>Bid Opening Place *</b>	ITI Ltd, Naini Unit, Mirzapur Road, Naini, Allahabad
13	<b>Tenderer Class *</b> (As per tender document / NA)	As per Tender Document
14	<b>Inviting Officer *</b>	Purchase Officer (Enquiry Cell)
15	<b>Inviting Officer Address</b> with Phone and email: *	MM Department, ITI Ltd, Naini Unit, Mirzapur Road, Naini, Allahabad Ph. 0532 -2687379/ MOB: 6392704089/7007462166

**(E) Fee Details:**

1	<b>Tender Charges:</b>	N/A
1(a)	Tender Fee	
1(b)	Processing Fee	
1(c)	Surcharges	
1(d)	Other Charges	
1(e)	Tender Charges Payable To *	
1(f)	Tender Charges Payable At *	
2	<b>EMD Fee details:</b>	
2(a)	EMD Fee (Fixed / Percentage)	Percentage
2(b)	If EMD Fee is Fixed then EMD Amount: If EMD Fee is Percentage then EMD Percentage %	2% of tender value or maximum 5 Lakh
2(c)	EMD Exemption Allowed (Full / Partial / None)	
2(d)	If EMD Exemption Allowed is Partial, then EMD Exemption Percentage %	
2(e)	EMD Fee Payable To *	ITI Ltd.
2(f)	EMD Fee Payable At *	Naini, Allahabad

**(F) Critical Dates:**

SI No		Dates (DD/MM/YY)	
1	Publishing Date	27.04.2022	16:00
2	Document Sale / <b>Download</b> Start Date		
3	Document Sale / <b>Download</b> End Date	17.05.2022	17:00
4	Seek Clarification Start Date	---	
5	Seek Clarification End Date	---	
6	Pre Bid Meeting Date	---	
7	Bid Submission Start Date	28.04.2022	09:00
8	Bid Submission End Date	17.05.2022	17:00
9	Bid Opening Date	18.05.2022	11:00

**(G) Uploading the Tender documents ;( only pdf, jpg, xls & rar files allowed)**

S No	File Name	Document Description (NIT / Tender / BOQ / Additional )	File Type	Size
1				
2				
3				
4				
5				

Note: Pl. use some prefix to the **file name** which can indicate the category it belongs to. e.g. NIT\_xxxxx / Tender\_xxxxx / BOQ\_xxxxx / Addl\_xxxxx, where xxxxx is 'Actual file name'

Prepared by: AEE (MM)

Approved by: DGM (W, IMM& EDP)

(Mobile.) 7007462166/6392704089

(Phone No.) 0532 -2687379